



HIGH BAY

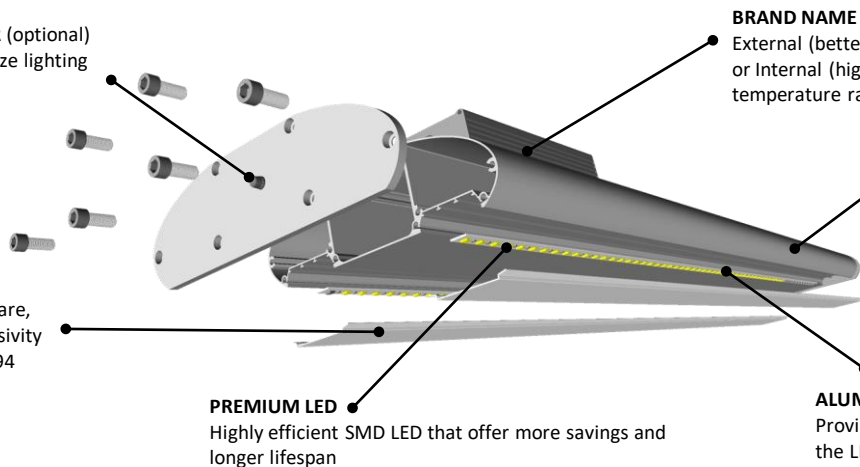
Série HL



SUPERIOR DESIGN

INTEGRATED DIMMER (optional)
Allows to easily optimize lighting levels and savings

PC LENS (optional)
Designed to reduce glare, provide high transmissivity and meet UL1598/UL94 requirements.



BRAND NAME DRIVER
External (better look) or Internal (higher temperature rating)



ALUMINUM HOUSING
Designed and made in Canada, this housing, suitable for wet locations (optional), acts as an excellent heatsink. It can be anodized or painted.

PREMIUM LED
Highly efficient SMD LED that offer more savings and longer lifespan

ALUMINUM PCB
Provides better heat conductivity for the LED and therefore longer lifespan.

REPLACE 250MH, 400MH, 1000MH, T5HO and T8 HIGH BAYS

Light Source	LUMENS system	WATTS system	EFFICACY lm / W	ENERGY \$
400MH	16400	460	36	2 300 \$
4T5HO	16100	234	69	1 170 \$
6T8 32W	16300	220	74	1 100 \$
6T8 28W	15600	192	81	960 \$
6T8 25W	14500	173	84	865 \$
IRIS HL LED	16500	97	170	485 \$
HB DEL premium	16500	127	130	635 \$
HB DEL	16500	165	100	825 \$

Calculations based on 50,000 hours at 0.105 / kWh

	IRIS HL-10000	IRIS HL-27000	IRIS HL-75000
Manufacturer	IRIS	IRIS	IRIS
Model Number	8946	27466	74329
Units	120	120	120
Light Output	165.7	165.7	520.5
Input Voltage	53.37	165.8	142.8
Input Power	167.6	5000	3500
Luminous Efficacy	5000	81.4	81.3
CCT	81.3	99%	99%
CRI	99%	92%	92%
PF @120	96%	18.2%	18.2%
PF @277	13.4%		
THDI		25	25
Temperature ambient	°C	42	83
Temperature LED	°C	41	63
Temperature Tc Driver	°C		

REPLACEMENT TABLE

Lighting Source	Lumen Output Mean lumens
1000 MH	52 000
750 MHPS	43 000
6x T5HO	25 500
400 MH	17 000
4x T5HO	17 000
6x T8H 32W	17 000
250 MH	12 300
4x T8H 32W	11 500
4x T8L 32W	7 500



Initial Lumens @ 25C	Suggested Model
74 300	HL-75000
61 500	HL-75000
36 500	HL-40000
24 300	HL-27000
24 300	HL-27000
24 300	HL-27000
17 600	HL-18000
16 500	HL-18000
10 800	HL-13500

Replace your 400MH and 1000MH luminaires

High Bay replacement generates savings of up to 80% of your electricity bill, with a ROI as short as 6 months!

➔ Save up to 80% ←

Replace your T5HO luminaires

Replacing T5HO fixtures effectively is now possible!

➔ Save up to 55% ←



HIGH BAY HL Series



AT IRIS, WE DO THINGS DIFFERENTLY

- High energy efficacy, allowing the most **cost efficient** replacement of HID, T5HO and T8 High Bays
- Very long lifespan of the LED (more than **100,000h** of LED operation)
- Maximization of energy savings due to its very high efficiency of up to **170 lm/W** (at 347Vac)
- Optimization of lighting levels via its integrated dimmer
- Elegant look !

A PREMIUM PRODUCT

Made in Canada

- Designed, assembled and tested in Canada for North America

DLC Premium 5.0

- Top 1% efficacy among 60,000 products listed in the DLC
- Lifespan 2 to 4 times longer than DLC Standard

Performance

- Up to 170 lm/W, the most efficient luminaire ever built in Canada
- Replace a 4x T5HO High Bay with only 70-100 W

Long Lifespan

- The anodized aluminium housing maximizes durability, reducing maintenance
- The LEDs run very cold thanks to the aluminum enclosure, ensuring a very long lifespan

Model	Length	Lumens ±10%	Watts ±10% @ 120Vac	% lumens @ 25°C		CRI / CCT	Voltage (AC 60Hz)	Dimensions (mm)	Options
				@ 50,000	@ 100,000				
HL-10000	2' / 4'	9 000	55	92%	84%	80 / 3500	120-277	Width	Wet Locations
HL-13500	2' / 4'	13 500	90	91%	83%	80 / 4000	120-347	205	Polycarbonate Lens
HL-18000	2' / 4'	17 500	115	91%	82%	80 / 5000	347	Height	0-10V Dimming
HL-20000	2' / 4'	19 000	130	91%	82%		200-480	65 - 102	Housing color
HL-27000	2' / 4'	25 000	165	90%	81%			Length	Manual Dimmer
HL-32000	2' / 4'	32 500	220	90%	81%			650 / 1250	6' Power Cord
HL-40000	2' / 4'	38 000	265	89%	79%				Aircraft Wire
HL-48000	4'	50 000	330	90%	81%				Mounting Ring
HL-75000	4'	72 000	530	89%	79%				Motion Sensor Bluetooth

Ordering code

Model	CCT	Input Voltage	Length	Driver Configuration	Environment	Options
HL-10000 to HL-75000	3500K 4000K 5000K	LV: 120V HV: 347V	Blank: 4' (L2): 2'	Blank: external i: internal	Blank: Damp WL: Wet	

examples :

HL-27000-5000K-LV (L2) WL

HL-18000-3500K-HV i

Notes :
Not every model is DLC Listed.
Lumen output at 25°C.



LED

DLC Premium quality

DRIVERS



UNIQUE FEATURE

Dimmable directly on the luminaire thanks to the manual dimmer (optional).

HOUSING

Canadian aluminum extrusion makes an excellent heatsink which allows the luminaire to operate at high ambient temperature.

TEMPERATURE

Storage:
-40°C / 65°C -40°F / 149°F

Working:
-30°C / 50°C -22°F / 122°F

LENS

Clear: 90% light transmission
Frosted: 80% light transmission

CHOICE OF COLORS

Standard : satin grey or mill finish
Option : gold, black, bright polished grey

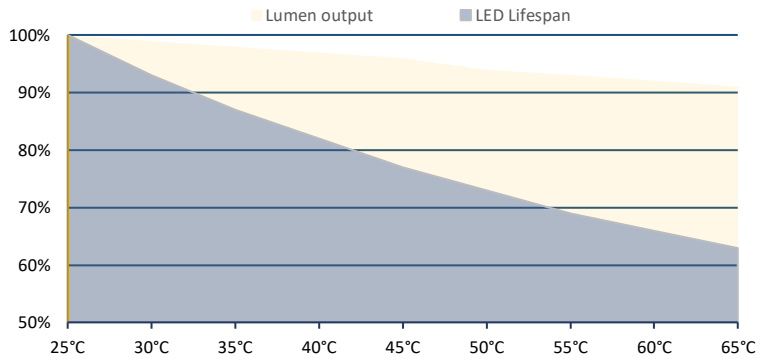




EFFECTS OF AMBIENT TEMPERATURE

Example:
At 40°C, the lumen output is reduced by 4% and the lifespan by 20%. Therefore, a 50,000h rated luminaire will have a lifespan of 40,000h.

Ambient Temperature
The lumen output and lifespan of luminaires are greatly affected by the ambient temperature.



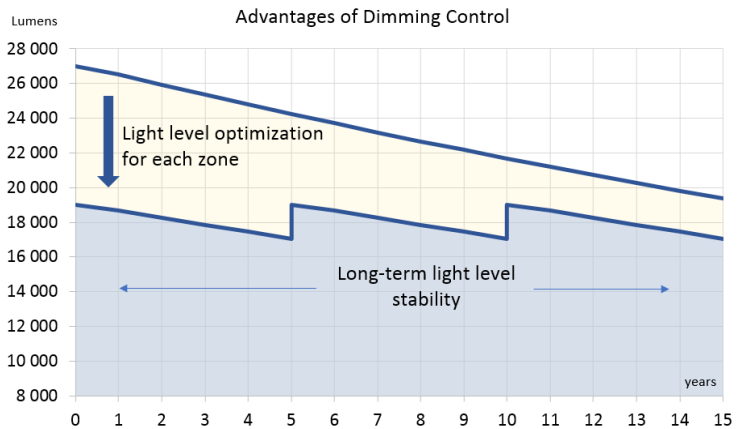
DIMMER

Standard

External driver: Lighting output can be adjusted between 50 - 100% directly on the driver (screwdriver).
Internal driver: No dimming

Options

External driver: Manual Control Dimmer (10-100%)
Internal driver: Manual Control Dimmer (10-100%)



POWER CORDS

Standard

External driver: Standard Driver Power Cord (approx. 10")
Internal driver: 6' Power Cord

Options

External Driver with 6' Power Cord

WEIGHT and DIMENSIONS

	Length A	Width B	Height C	Max weight kg / lbs
Internal driver	600mm / 2'	205 mm / 8"	65 mm / 2.5"	4.5 / 10
Internal driver	1200mm / 4'	205 mm / 8"	65 mm / 2.5"	6.8 / 15

External driver	650mm / 2'	205 mm / 8"	102 mm / 4"	4.0 / 8.5
External driver	1250mm / 4'	205 mm / 8"	102 mm / 4"	7.7 / 17

